



LUMATE[®]
ARCHITECTURAL PRODUCT
INSTALLATION GUIDE



ALUMINIUM CEILING

STORAGE & HANDLING

- Always handle Alumate Products with care. Do not dump or drop when loading or unloading.
- Profiles should be carried on their edge for better support. Take care of cut board ends as they may be sharp.
- Store Alumate Products away from the elements on a dry, flat surface supported at maximum 450mm centres.
- When removing Alumate profiles from the pack do not slide boards against each other, lift the boards and set them down carefully. When handling take care to avoid scratches, nicks and other damage to the boards.
- To ensure long-term performance we recommend that a professional tradesperson carry out the installation in accordance with these instructions, including the use of all trims and accessories.

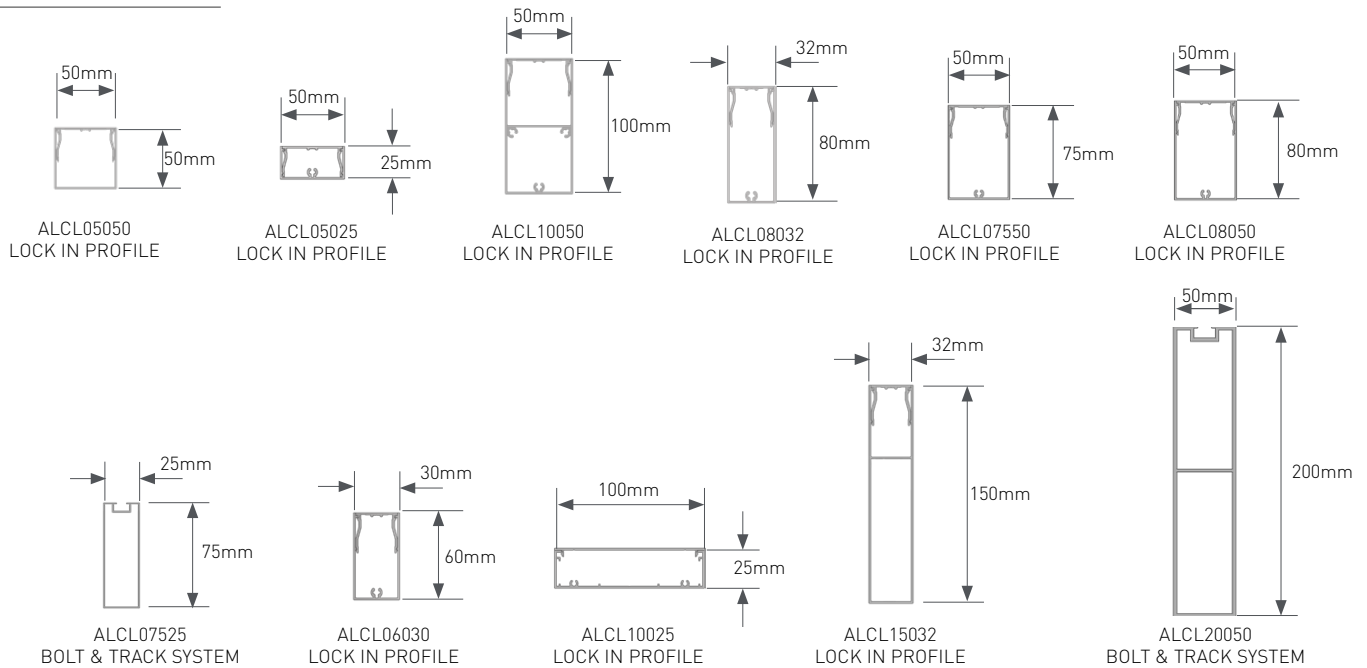
FRAMING NOTES

Support Sub framing is to be set at a maximum of 800mm centers and must be in line with AS Timber framing must comply with AS 1684: Timber Framing Code. Steel framing must comply with AS/NZS 4600: Cold-Formed Steel Structure or AS 3623: Domestic Metal Framing.

- BCA Volume 2
- 3.4.2 Steel Framing
- 3.5.2 Wall Cladding
- 3.4.3 Timber Framing



PROFILES



INSTALLATION NOTES

Use appropriate screws as per the table below and ensure that the head does not exceed the fixing area.

BACK STRUCTURE	SCREW TYPE
SEASONED TIMBER	10G x25MM TYPE 17 WAFER HEAD
STEEL FRAMING	10G X 16MM SELF-DRILLING WAFER HEAD

Aluminium expands and contracts with temperature changes, therefore it is essential that fixings are staggered on either side of the screw flute of the rear clip.

When installing onto steel support subframes, ensure to use non-compressible separation tape between the dissimilar metals.

Use appropriate cutting saws suitable for aluminium and ensure they are sharp to reduce the chance of burrs.

To avoid damaging the finish, always use a piece of timber with a rubber mallet to carefully lock the profiles together, if required.



INSTALLATION NOTES

Ensure you level the substructure/frame that the rear clip is to be installed onto as the final installation will follow this level.

Check to make sure that the following maximum fixing spans are achieved according to the batten profile being used.

- ALCL05050 - 800mm centres
- ALCL10050 - 800mm centres
- ALCL10025 - 600mm centres

All span values are specified for non-loadbearing internal ceiling applications.

ALUMATE ceiling product range is not site engineered for loadbearing applications. Guidance can be provide for loadbearing applications on a project specific base.

Always take care with the set out of the rear clip in terms of spacings batten spacing to ensure that the desired finish is achieved.

Level and fix the rear clip by staggering the fixings on either side of the screw flute of the rear clip.

Position the batten and ensure that it is aligned with the rear clip before pushing on. a firm lock in place is achieved once the profile is properly seated over th rear clip with a confident click.

Continue the installation ensuring that each batten is properly aligned and completely locked into place.

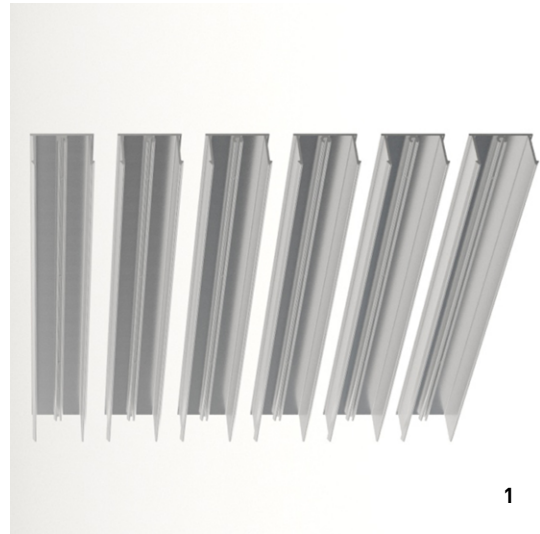


FIG 1 - REAR CLIP

FIG 2 - ALUMATE LOCK IN PROFILE

ALUMATE[®]

ARCHITECTURAL SOLUTIONS

Phone (australia) : +61 (2) 9630 8366 Email : enquiry@alumate.com.au
Office : Unit 15 Jones Bay Wharf, 26-32 Pirrama Road, Pyrmont NSW 2009
Website : www.alumate.com.au